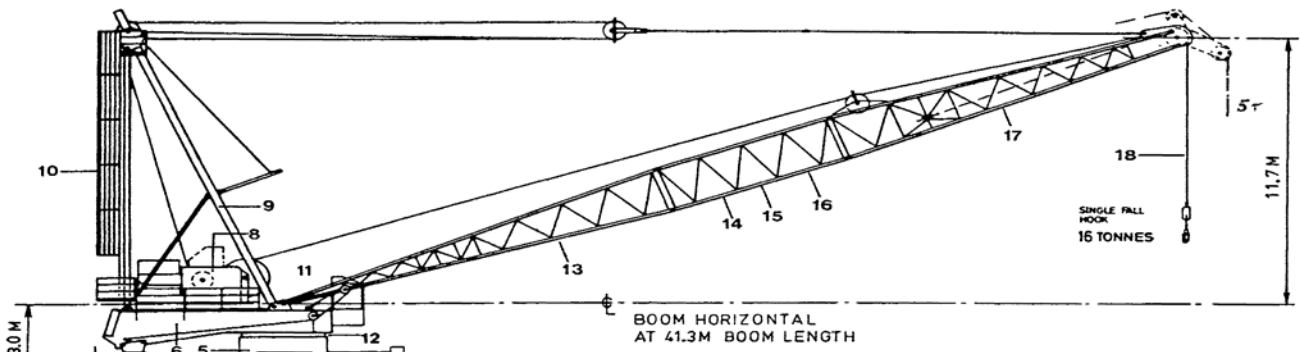
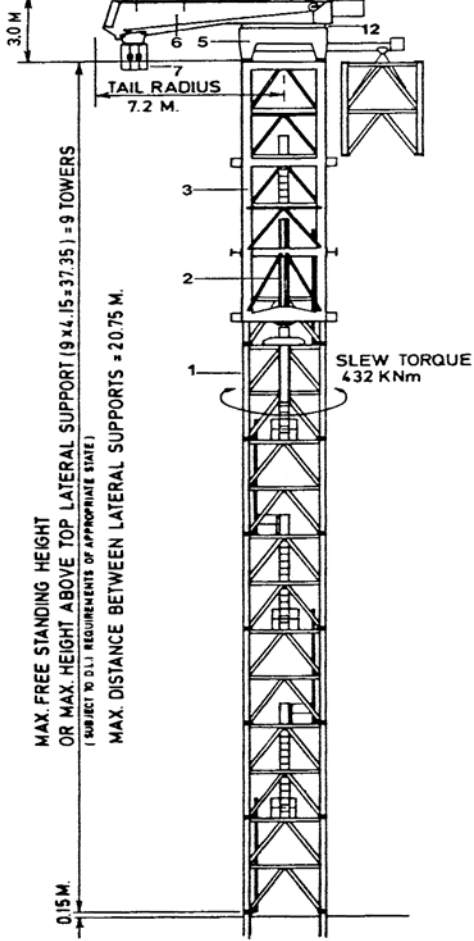




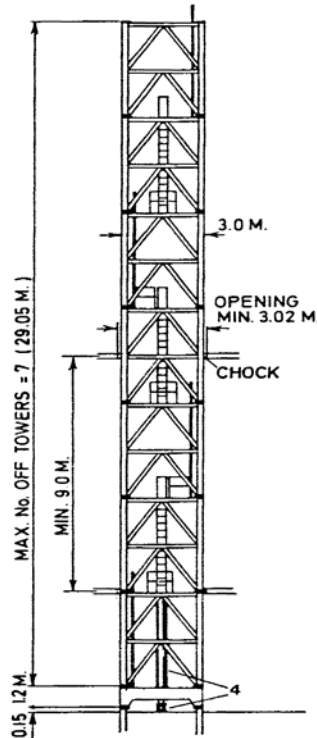
# FAVCO STD 1500 TOWER CRANE



**NOTE:**  
IF LATERAL SUPPORTS ARE MORE THAN 0.15M. FROM PANEL POINTS, SUITABLE TOWER DIAPHRAGM BRACING MUST BE USED.

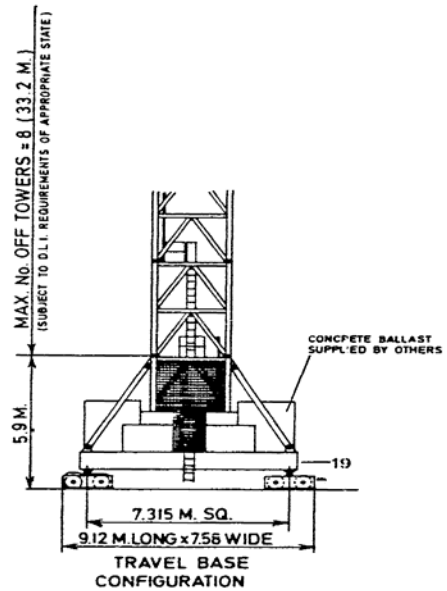


**EXTERNAL CLIMBING CONFIGURATION**



**INTERNAL CLIMBING CONFIGURATION**

**LUFF SPEED**  
MAX. TO MIN. RADIUS 1.3 MIN.  
**SLEW SPEED** 0.8 RPM  
**TRAVEL SPEED** 18 M/MIN.  
**HOIST SPEEDS**  
SEE BACK PAGE



**TRAVEL BASE CONFIGURATION**